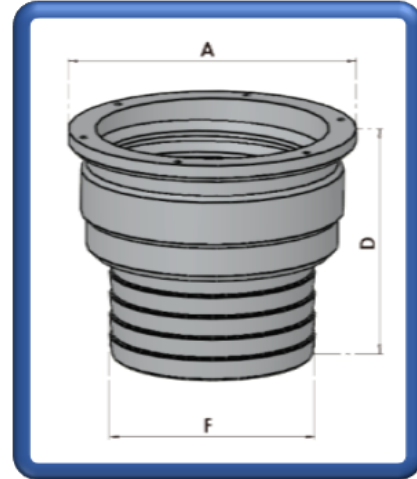




Quick-Fill

**Quick-Fill Hose Adaptor, Non-Vented, Silver,
Ø57.0 Hose Spigot.
Part Number: FI-AB-009 (QFT250TNA)**



Specifications:

Fixing Arrangement:
Applications:
Compatibilities:
Finish:
Weight:
Supplied With:

Refuelling Bottle Screw Thread
Sports Car/ Motorcycle Racing & Endurance
Operation Temperature -40°C to +80°C
Anodised
165.0 grams
O-Ring

Materials:

Flange:
O-Ring:

Aluminium 6082/T6 Machined
Viton

Dimensions:

Outer Diameter A:
Centre Cap Diameter B:
Bolt PCD Diameter C:
Depth D:
Spigot Hose Diameter F:
Flange Thickness:

80.0mm
65.0mm
6 (Ø2.0 x 74.0PCD Equal spaced)
Ø57.0mm
5.0mm

Associated Parts:

Refuelling Bottle

Fluid Containment – When It Matters

Tell: +4420 8594 7990 / Fax: +4420 8594 7989 / www.newton-equipment.com / info@newton-equipment.com
Registered in England. 6 Orwell Close/ Fairview Ind. Park/ Rainham/ Essex/ RM13 8UB