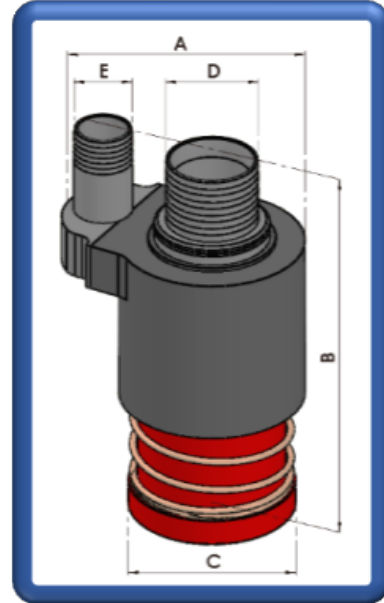




Quick-Fill

**Male 2", Single Mount Co-Axial Filling, Red/Black.
Part Number: RF-AA-024 (Co-Axial SPR)**



Specifications:

Fixing Arrangement:
Applications:
Compatibilities:
Finish:
Weight:
Supplied With:

N/A
Sports Car/ Motorcycle Racing & Endurance
Operation Temperature -40°C to +80°C
Anodised
1235 grams

Materials:

Flange:
Shut-off Sleeve:
O-Ring:
Springs:
Scraper:
Main shut-off sleeve & Spring Cover:
E-Clips:

Aluminium 6082/T1 Machined
Aluminium 6082/T6 Machined
Viton (FKM or FPM)
Stainless Steel EN43
PEEK
Nylon
Steel

Dimensions:

Length A:
Depth B:
Shut-off Sleeve Diameter C:
Spigot Diameter D:
Spigot Diameter:

127.0mm
200.0mm
82.70mm
57.0mm
26.0mm

Associated Parts:

Quick-Fill Handle
Overall Seal Kit

Fluid Containment – When It Matters

Tell: +4420 8594 7990 / Fax: +4420 8594 7989 / www.newton-equipment.com / info@newton-equipment.com
Registered in England. 6 Orwell Close/ Fairview Ind. Park/ Rainham/ Essex/ RM13 8UB