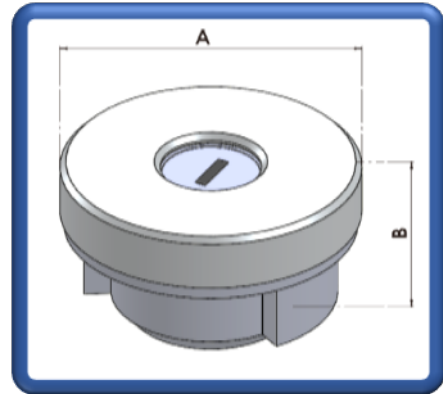




# Zero Range

## Z200 Fuel Filler Cap, Key Action, Locking, Silver, Non-Vented. Part Number: OG-ZA-001 (Z2L)



### Options:

#### Part Description

Z200 Fuel Filler Cap, Key Action, Locking, Silver, Vented  
Z200 Fuel Filler Cap, Key Action, Locking, Black, Non-Vented  
Z200 Fuel Filler Cap, Key Action, Locking, Black, Vented

#### Part Number

OG-ZA-002 (Z2LV)  
OG-ZA-009 (Z2LB)  
OG-ZA-010 (Z2LVB)

### Specifications:

Options:	N/A
Fixing Arrangement:	Flange Necks
Applications:	Fuel, Oil & Water Tanks
Compatibilities:	Operation Temperature -40°C to +80°C
Finish:	Anodised
Weight:	75.0 grams

### Materials:

Centre Cap:	Aluminium LM25
Gasket Seal:	NBR
Saddle:	Zinc
Top Centre:	Nylon Plastic

### Dimensions:

Diameter A:	50.0mm
Overall Depth B:	30.0mm

### Associated Parts:

Flange Neck

**Fluid Containment – When It Matters**

Tell: +4420 8594 7990 / Fax: +4420 8594 7989 / [www.newton-equipment.com](http://www.newton-equipment.com) / [info@newton-equipment.com](mailto:info@newton-equipment.com)  
Registered in England. 6 Orwell Close/ Fairview Ind. Park/ Rainham/ Essex/ RM13 8UB