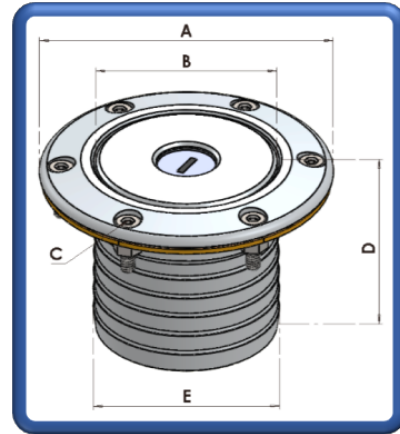




Zero Range

**Z200 Fuel Filler Cap, Key Action, Locking, Silver, Non-Vented,
Ø51.0 Integral Neck.**

Part Number: OG-ZA-005 (Z26NL)



Options:

Part Description

Z200 Fuel Filler Cap, Key Action, Locking, Silver, Vented, Ø51.0 Integral Neck

Z200 Fuel Filler Cap, Key Action, Locking, Black, Non-Vented, Ø51.0 Integral Neck

Z200 Fuel Filler Cap, Key Action, Locking, Black, Vented, Ø51.0 Integral Neck

Part Number

OG-ZA-006 (Z2NL1V)

OG-ZA-009 (Z26NLB)

OG-ZA-010 (Z2LNV1B)

Specifications:

Fixing Arrangement:

Applications:

Compatibilities:

Finish:

Weight:

Supplied With:

6 x M04 CSK Bolts

Fuel, Oil & Water Tanks

Operation Temperature -40°C to +80°C

Anodised

175.0 grams

Flange Neck

M04 Screw Pack (CSK Screws, Washers, Nyloc Nuts)

NBR Cork Gasket

Materials:

Centre Cap:

Flange Neck:

Gasket Seal:

Saddle:

Gasket:

Aluminium 6082/T6 Machined

Aluminium 6082/T6 Machined

NBR

Zinc

Neoprene Bonded Cork (NBR)

Dimensions:

Outside Diameter A:

Centre Diameter B:

Bolts Circle Diameter C:

Depth D:

Spigot Diameter:

Neck Diameter E:

Flange Thickness:

82.0mm

50.5mm

69.9mm

54.0mm

57.0mm (58.0mm Cut-Out)

51.0mm

5.0mm

Associated Parts:

Hard Anodising

Viton (FPM) Gasket

Lead-Free Option

Fluid Containment – When It Matters

Tell: +4420 8594 7990 / Fax: +4420 8594 7989 / www.newton-equipment.com / info@newton-equipment.com

Registered in England. 6 Orwell Close/ Fairview Ind. Park/ Rainham/ Essex/ RM13 8UB