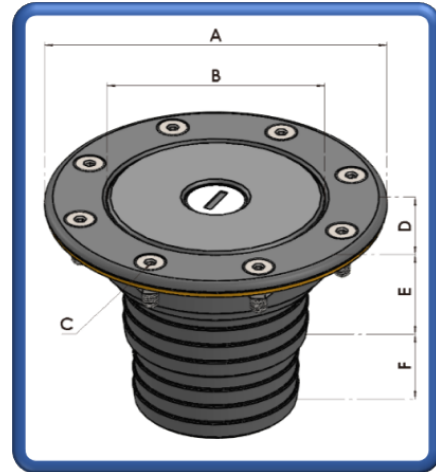




Zero Range

**Z350 Fuel Filler Cap, Key Action, Locking, Black, Non-Vented,
Ø51.0/57.0 Integral Neck.
Part Number: OH-ZA-008 (Z36NL)**



Options:

Part Description

Z350 Fuel Filler Cap, Key Action, Locking, Silver, Non-Vented, Ø51.0/57.0 Integral Neck

Part Number

OH-ZA-011 (Z36NLB)

Specifications:

Fixing Arrangement:

Applications:

Compatibilities:

Finish:

Weight:

Supplied With:

8 x M08 CSK Bolts

Fuel, Oil, Add Blue & Water Tanks

Operation Temperature -40°C to +80°C

Anodised

185.0 grams

Flange Neck

M05 Screw Pack (CSK Screws, Washers, Nyloc Nuts)

NBR Cork Gasket

Materials:

Centre Cap:

Flange Neck:

Gasket Seal:

Saddle:

Gasket:

Plastic:

Aluminium 6082/T6 Machined

Aluminium 6082/T6 Machined

NBR

Acetal POM C2521A

Neoprene Bonded Cork (NBR)

Acetal POM C2521S

Dimensions:

Outside Diameter A:

Centre Diameter B:

Bolts Circle Diameter C:

Depth D:

Spigot Diameter:

Neck Diameter + Height E:

Neck Diameter + Height F:

Flange Thickness:

106.0mm

68.0mm

88.9mm

73.0mm

73.4mm (74.5mm Cut-Out)

Ø51.0 x 24.0mm

Ø57.0 x 24.0mm

3.25mm

Associated Parts:

Hard Anodising

Viton (FPM) Gasket

Lead-Free Option

Fluid Containment – When It Matters

Tell: +4420 8594 7990 / Fax: +4420 8594 7989 / www.newton-equipment.com / info@newton-equipment.com

Registered in England. 6 Orwell Close/ Fairview Ind. Park/ Rainham/ Essex/ RM13 8UB